

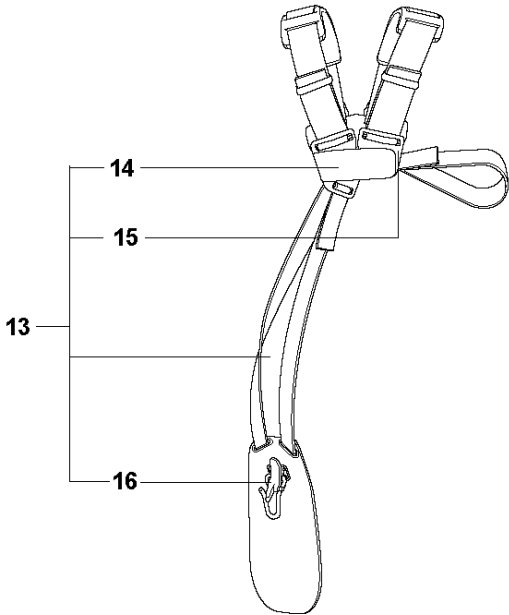
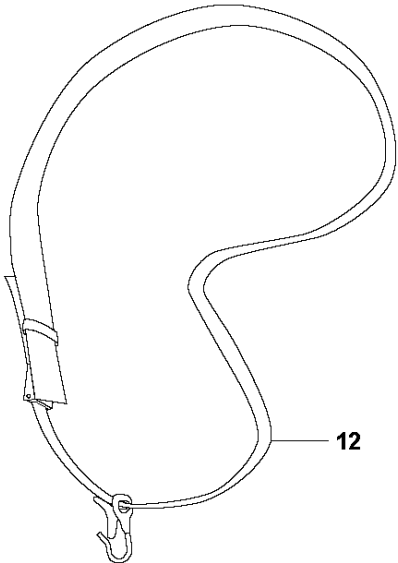
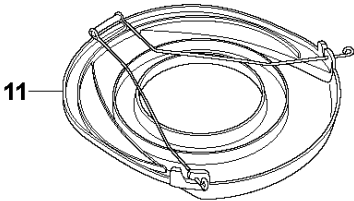
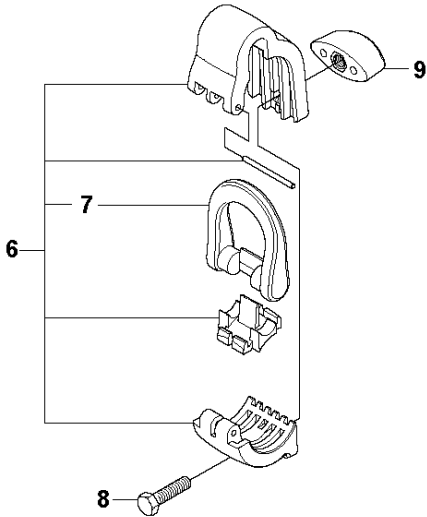
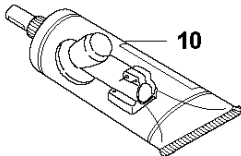
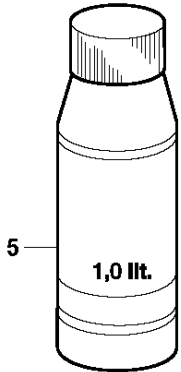
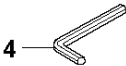
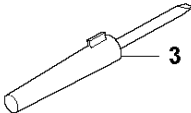
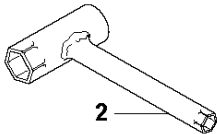
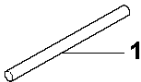


# SPARE PARTS LIST

TRIMMERS/EDGERS

326 LDx, 2009-05

**R** 326LS, Lx, LDx, Rx, RJx  
ACCESSORIES

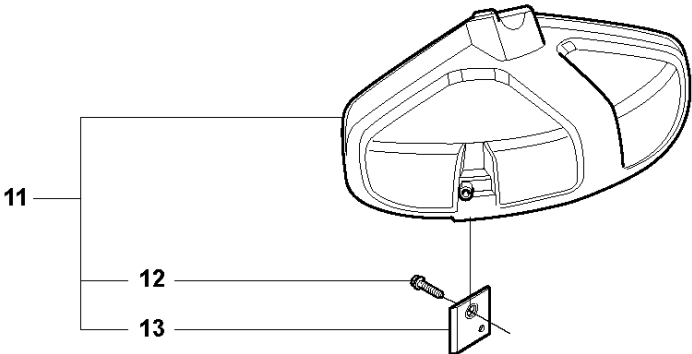
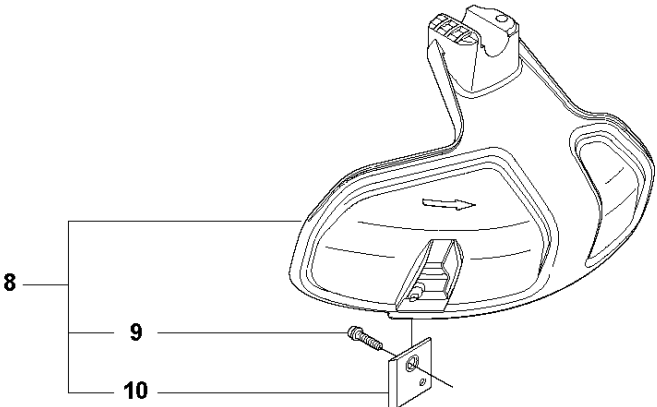
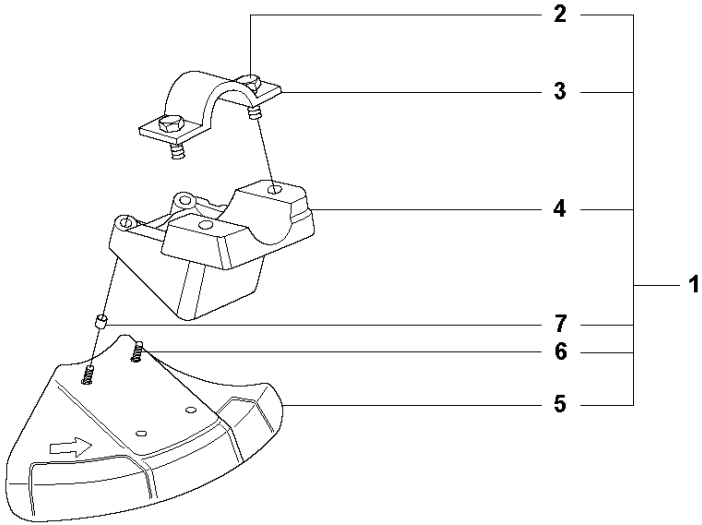


## ACCESSORIES

326 LDx, 2009-05

Ref	Part no.	Description	Remark	Qty	Kit
1	502 28 59-01	STOP		1	
2	502 11 46-02	SOCKET WRENCH		1	
3	501 60 02-03	SCREWDRIVER		1	
4	502 21 58-01	L-NYCKEL		1	
5	531 00 92-48	FILTER OIL	Oil Air filter	1	
6	537 35 36-01	LOOP		1	
7	537 35 01-01	LOOP		1	6
8	725 23 31-51	SCREW		1	
9	537 13 04-02	KNOB		1	
10	503 97 64-01	GREASE		1	
11	537 31 29-01	TRANSPORT GUARD	200-275 mm	1	
12	537 21 62-01	HARNESS		1	
12	537 21 62-02	HARNESS	US	1	
13	537 21 63-01	HARNESS		1	
13	537 21 63-02	HARNESS	US	1	
14	503 73 41-02	FRONT PIECE		1	13
15	503 73 41-01			1	13
16	502 02 28-02	WELT HOOK		1	13

**Q** 326LS, Lx, LDx, Rx, RJx  
ACCESSORIES

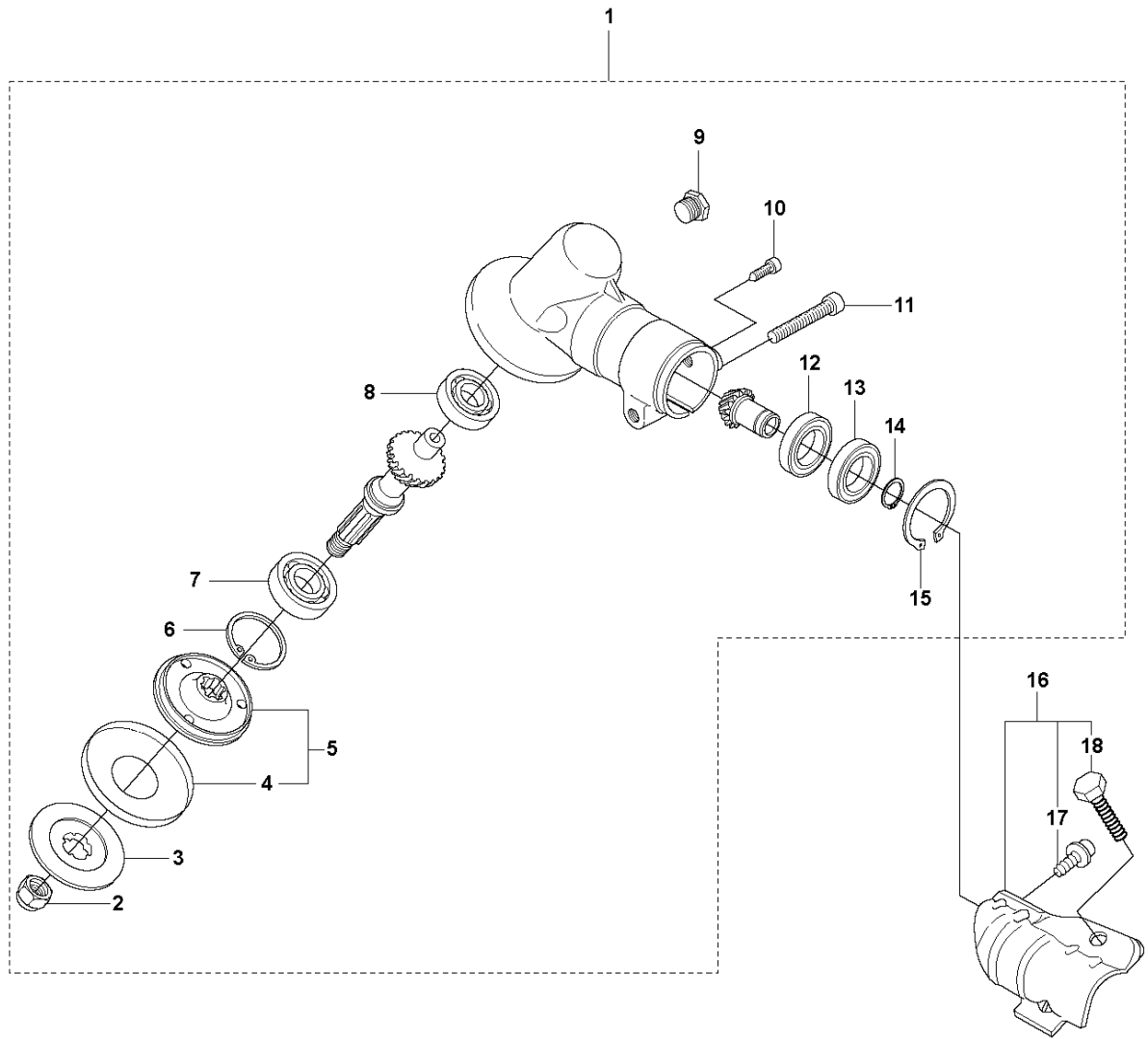


## ACCESSORIES

326 LDx, 2009-05

Ref	Part no.	Description	Remark	Qty	Kit
1	544 04 42-10	ACCESSORY BAG	Captive screws	1	
2	573 99 43-04	SCREW IHSCFMO	Captive screws	2	1
3	574 56 80-01	CLAMP	Captive screws	1	1
4	537 29 34-01	ADAPTER		1	1
5	574 56 49-02	BLADE GUARD	Captive screws	1	1
6	503 20 03-16	SCREW IHSCFM	Captive screws	4	1
7	574 03 95-01	LOCKING NUT	Captive screws	4	1
8	503 97 71-01	TRIMMER GUARD		1	
9	503 21 07-16	SCREW IHSCFT		1	8
10	503 79 88-01	BLADE		1	8
11	503 93 42-02	COMBI GUARD		1	
12	503 21 07-16	SCREW IHSCFT		1	11
13	503 79 88-01	BLADE		1	11

**A** 326LS, Lx, LDx, Rx, RJx  
BEVEL GEAR

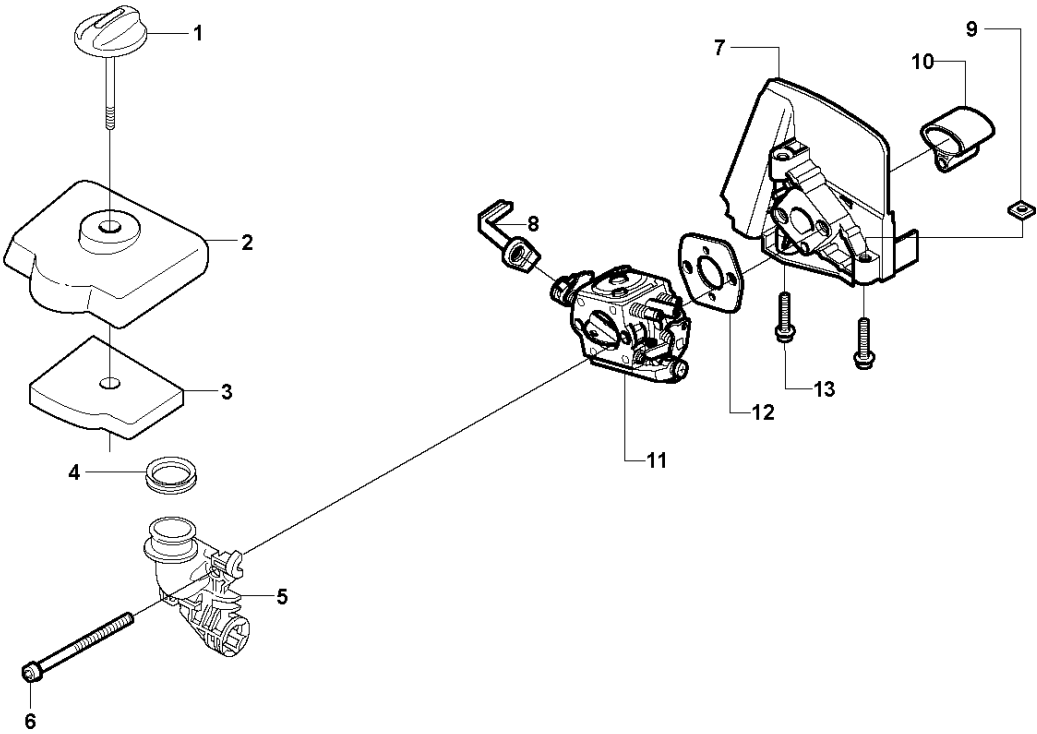


## BEVEL GEAR

326 LDx, 2009-05

Ref	Part no.	Description	Remark	Qty	Kit
1	537 33 38-02	BEVEL GEAR		1	
2	503 85 63-01	NUT		1	1
3	537 28 56-01	SUPPORT FLANGE		1	1
4	537 29 26-01	CUP		1	1
5	537 23 49-01	DRIVER ASSY		1	1
6	735 31 28-10	CIRCLIP		1	1
7	503 25 24-01	BALL BEARING		1	1
8	738 21 98-00	BALL BEARING		1	1
9	503 20 15-01	SCREW IHHM		1	1
10	503 20 14-12	SCREW IHSCFMO		1	1
11	503 20 07-25	SCREW IHSCFM		1	1
12	738 21 99-00	BALL BEARING		1	1
13	738 21 99-02	BALL BEARING		1	1
14	735 31 11-00	CIRCLIP		1	1
15	735 31 25-10	CIRCLIP		1	1
16	574 30 69-01	CLAMP		1	
17	503 20 07-12	SCREW IHSCFM		1	16
18	725 23 70-51	SCREW		1	16

**G** 326LS, Lx, LDx, Rx, RJx  
CARBURETOR & AIR FILTER





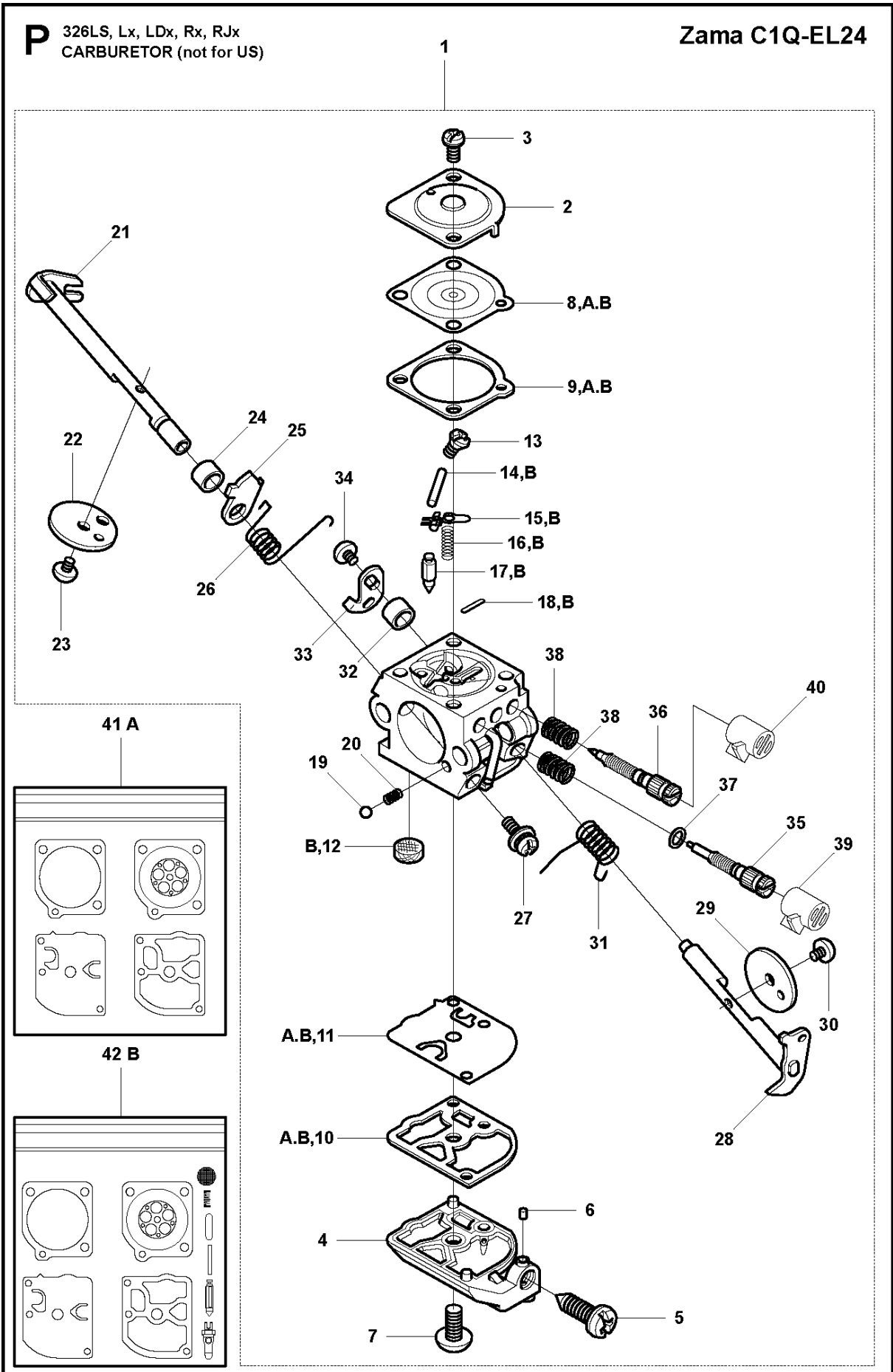
## CARBURETOR &amp; AIR FILTER

326 LDx, 2009-05

Ref	Part no.	Description	Remark	Qty	Kit
1	537 21 32-10	KNOB		1	
2	537 06 63-02	FILTER COVER		1	
3	537 14 31-01	AIR FILTER ASSY		1	
4	740 68 11-21	V-RING		1	
5	537 05 78-01	BRACKET		1	
6	503 21 75-50	SCREW IHSCFT		2	
7	503 91 09-01	INSULATION WALL		1	
8	503 96 25-01	CHOKE CONTROL		1	
9	503 22 65-04	SQUARE NUT		2	
10	503 94 26-01	INLET PIPE		1	
11	503 28 34-01	CARBURETTOR	Zama C1Q-EL24 (Not for US)	1	
11	576 01 98-01	CARBURETTOR	Hualong HQ-2 (Only option for US)	1	
12	503 49 71-01	GASKET		1	
13	503 20 03-25	SCREW IHSCFM		2	

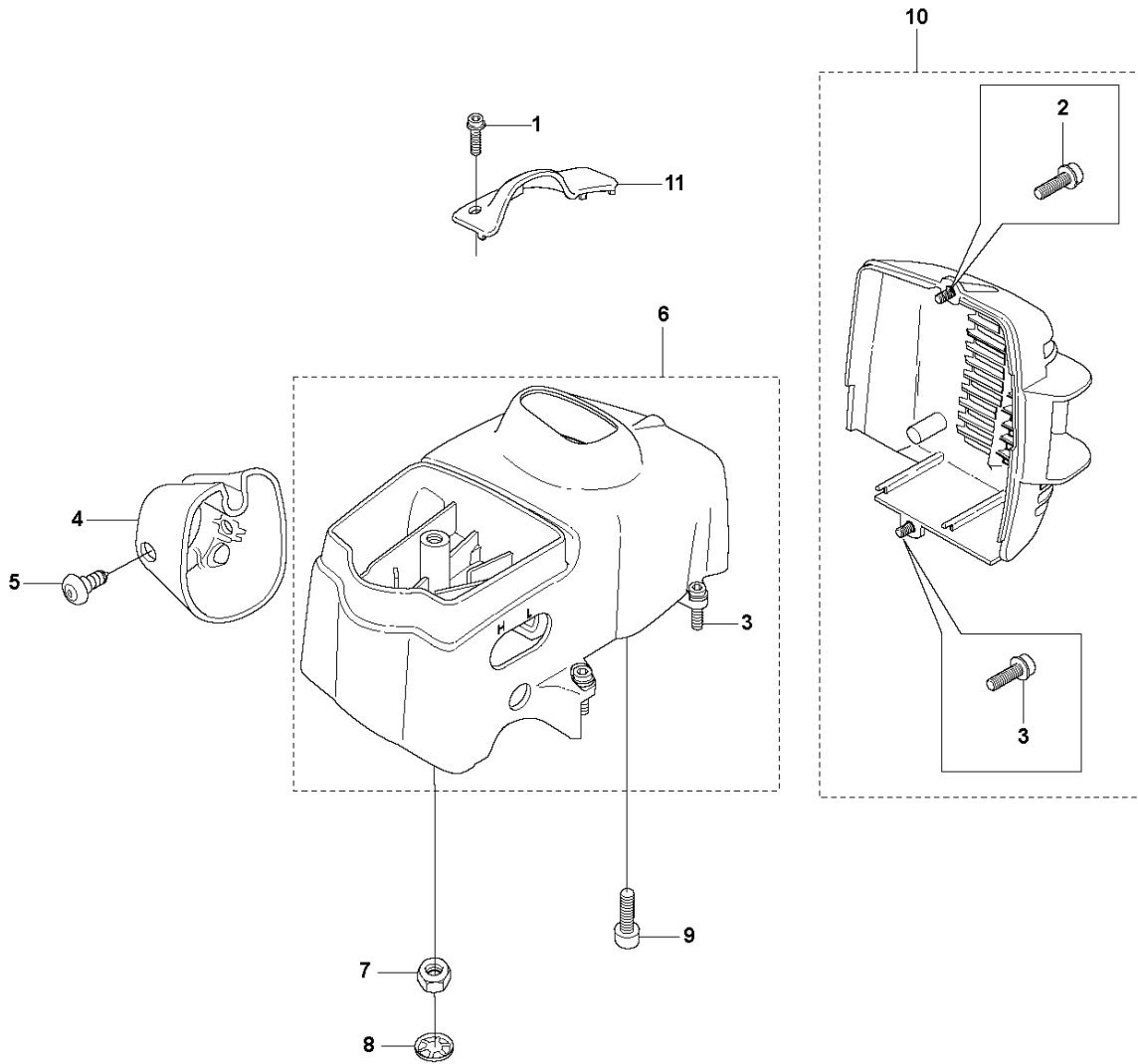
**P** 326LS, Lx, LDx, Rx, RJx  
CARBURETOR (not for US)

Zama C1Q-EL24



Ref	Part no.	Description	Remark	Qty	Kit
1	503 28 34-01	CARBURETTOR	Zama C1Q-EL24 (Not for US)	1	
2	503 97 43-01	COVER		1	1
3	503 48 05-01	SCREW		2	1
4	537 02 02-01	COVER		1	1
5	537 02 07-01	SCREW		1	1
6	503 48 11-01	PIECE		1	1
7	503 47 96-01	SCREW		1	1
8	537 04 89-01	DIAPHRAGM		1	1,A,B
9	537 02 04-01	GASKET		1	1,A,B
10	537 02 01-01	GASKET PUMP		1	1,A,B
11	537 02 00-01	DIAPHRAGM PUMP		1	1,A,B
12	503 53 57-01	STRAINER		1	1,B
13	503 48 01-01	SCREW		1	1
14	503 48 00-01	PIN RETAINING SCREW		1	1,B
15	503 66 59-01	LEVER		1	1,B
16	537 02 03-01	SPRING		1	1,B
17	503 47 97-01	VALVE		1	1,B
18	537 02 08-01	PLUG		1	1,B
19	537 01 25-01	BALL		1	1
20	537 01 26-01	SPRING		1	1
21	537 02 09-01	SHAFT ASSY		1	1
22	537 37 03-01	VALVE		1	1
23	503 48 18-01	SCREW		1	1
24	503 48 19-01	COLLAR		1	1
25	537 04 90-01	LEVER		1	1
26	537 02 10-01	SPRING		1	1
27	503 75 53-01	SCREW		1	1
28	537 01 96-01	SHAFT ASSY		1	1
29	537 01 99-01	VALVE		1	1
30	503 47 92-01	SCREW		1	1
31	537 01 97-01	SPRING		1	1
32	503 47 89-01	COLLAR		1	1
33	537 01 98-01	LEVER		1	1
34	503 47 90-01	SCREW		1	1
35	537 02 06-01	SCREW		1	1
36	537 12 78-01	SCREW		1	1
37	503 97 40-01	WASHER		1	1
38	503 48 08-01	SPRING		1	1
39	537 02 16-01	LIMITER CAP		1	1
40	537 02 16-01	LIMITER CAP		1	1
41	531 00 45-52	GASKET KIT		1	
42	531 00 45-53	SET		1	

**F2** 326LS, Lx, LDx, Rx, RJx  
COVERS

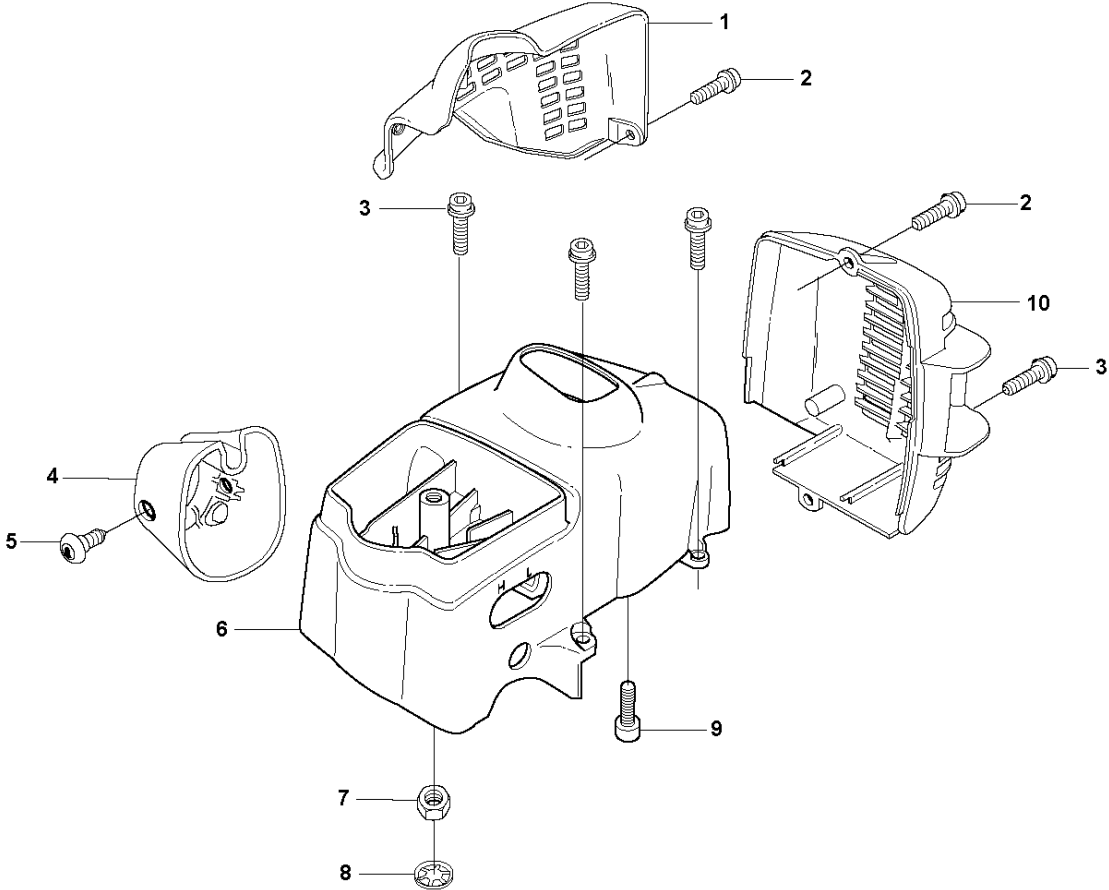


## COVER

326 LDx, 2009-05

Ref	Part no.	Description	Remark	Qty	Kit
9	503 21 71-16	SCREW IH SCT		1	
7	503 22 24-01	LOCKING NUT		1	
5	503 96 13-01	SCREW	326Rx	2	
4	503 97 21-01	COVER	326Rx	1	
6	537 06 61-03	CYLINDER COVER	captive screws	1	
10	537 06 65-02	HEAT PROTECTOR		1	
11	537 10 44-01	ARM PROTECTION			
8	544 90 85-01	WASHER		1	
3	574 47 70-03	SCREW IH SCFMO	captive screws M5x16	4	6, 10
1	503 21 35-12	SCREW CCRPANT		1	
2	574 18 15-01	SCREW IH SCFTO		1	10

**F1** 326LS, Lx, LDx, Rx, RJx  
COVERS

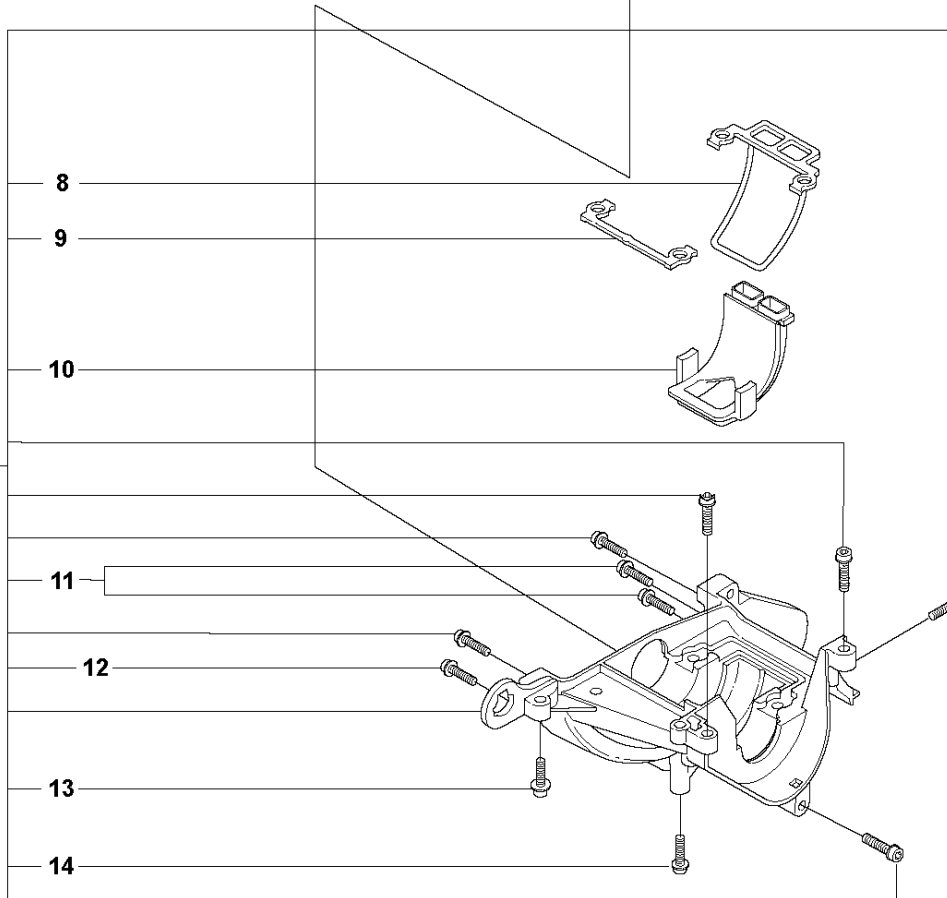
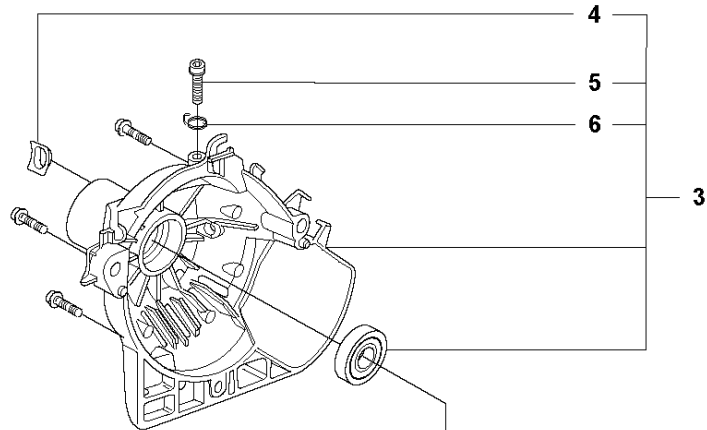
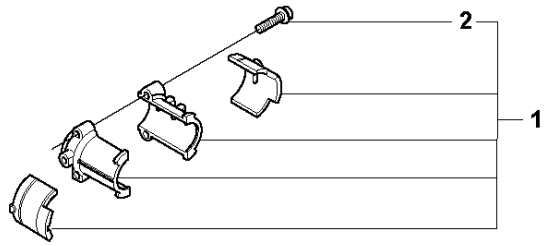


## COVER

326 LDx, 2009-05

Ref	Part no.	Description	Remark	Qty	Kit
1	537 06 66-01	ARM PROTECTION		1	
2	503 21 68-20	SCREW IHSCFT		2	
3	503 20 03-16	SCREW IHSCFM	M5x16	4	
4	503 97 21-01	COVER	326Rx	1	
5	503 96 13-01	SCREW	326Rx	2	
6	537 06 61-02	CYLINDER COVER		1	
7	503 22 24-01	LOCKING NUT		1	
8	544 90 85-01	WASHER		1	
9	503 21 71-16	SCREW IHSCFT		1	
10	537 06 65-02	HEAT PROTECTOR		1	

**M** 326LS, Lx, LDx, Rx, RJx  
CRANK CASE



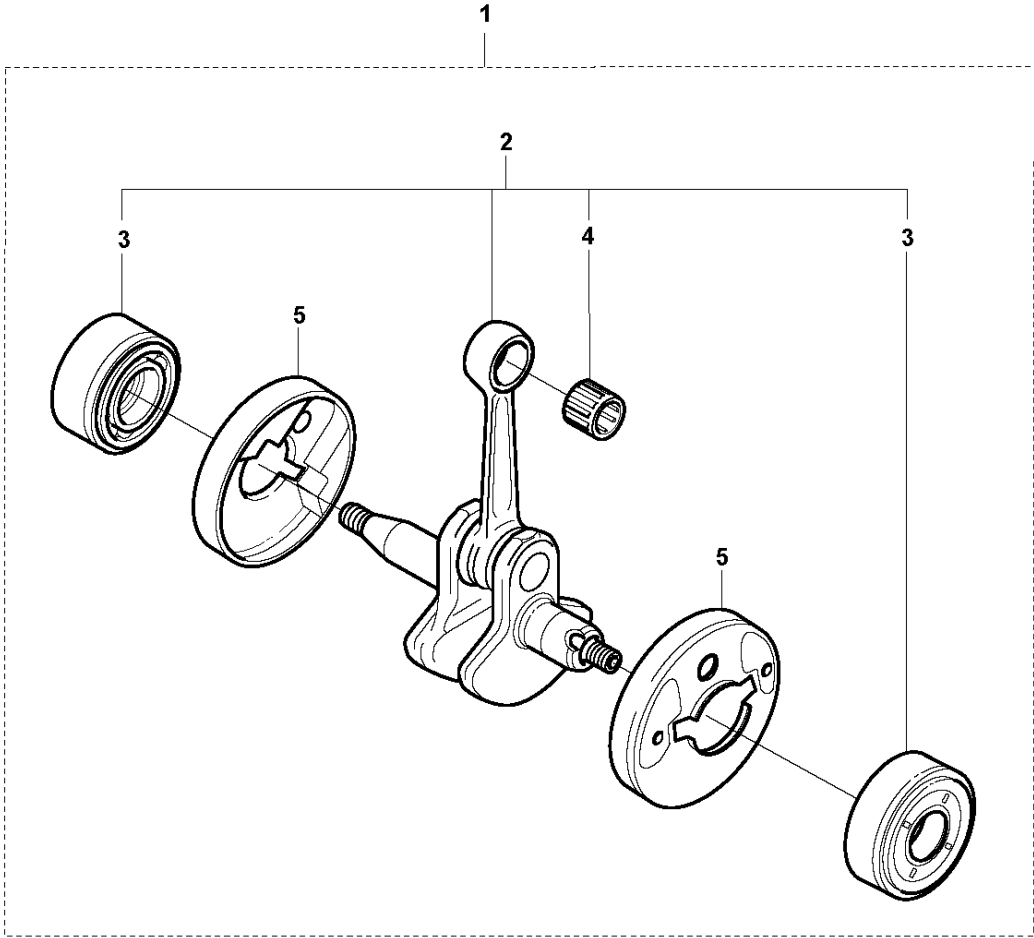


## CRANKCASE

326 LDx, 2009-05

Ref	Part no.	Description	Remark	Qty	Kit
1	537 30 96-01	COMPRESSION SLEEVE		1	
2	503 21 68-25	SCREW IHSCFT		2	1
3	537 04 12-07	CLUTCH COVER		1	
4	537 42 50-01	PROTECTIVE PLATE		1	3
5	503 20 03-16	SCREW IHSCFM	M5x16	1	3
6	537 07 36-01	SPRING		1	3
7	537 08 52-02	CRANKCASE		1	
8	537 06 69-01	GASKET CRANKCASE		1	7
9	537 08 85-01	GASKET		1	7
10	537 06 68-01	INSERT CRANKCASE		1	7
11	503 21 66-18	SCREW IHST		1	7
12	503 20 03-16	SCREW IHSCFM	M5x16	8	7
13	503 21 77-16	SCREW IHST		1	7
14	503 20 14-12	SCREW IHSCFMO		1	7

**N** 326LS, Lx, LDx, Rx, RJx  
CRANK SHAFT

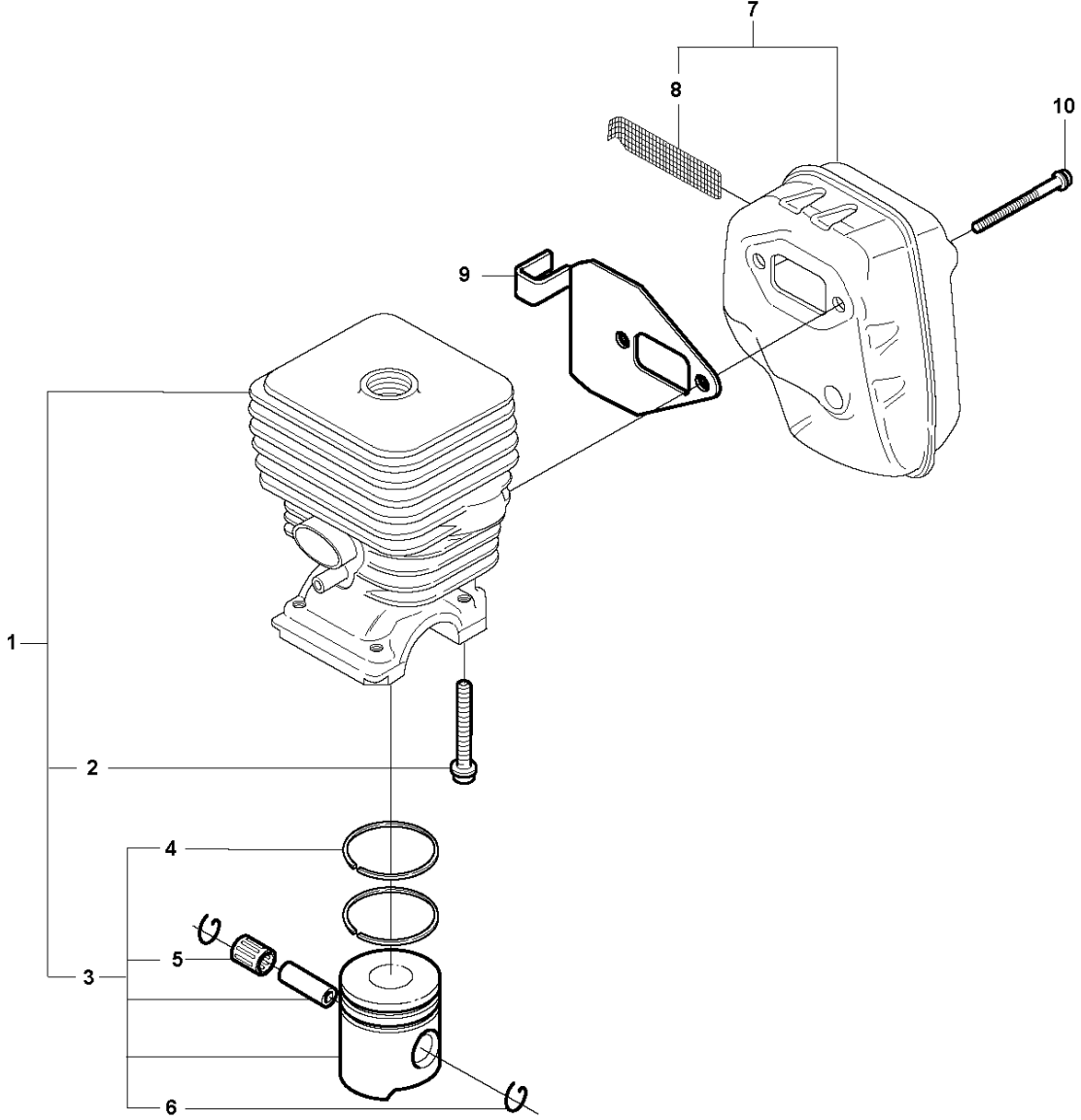


## CRANKSHAFT

326 LDx, 2009-05

Ref	Part no.	Description	Remark	Qty	Kit
1	503 85 24-74	CRANKSHAFT ASSY		1	
2	503 85 24-75	CRANKSHAFT ASSY		1	1
3	503 94 02-03	BEARING CAGE		2	1, 2
4	503 71 22-01	BEARING		1	1, 2
5	503 94 05-01	CUP		2	1

**L** 326LS, Lx, LDx, Rx, RJx  
CYLINDER PISTON & MUFFLER

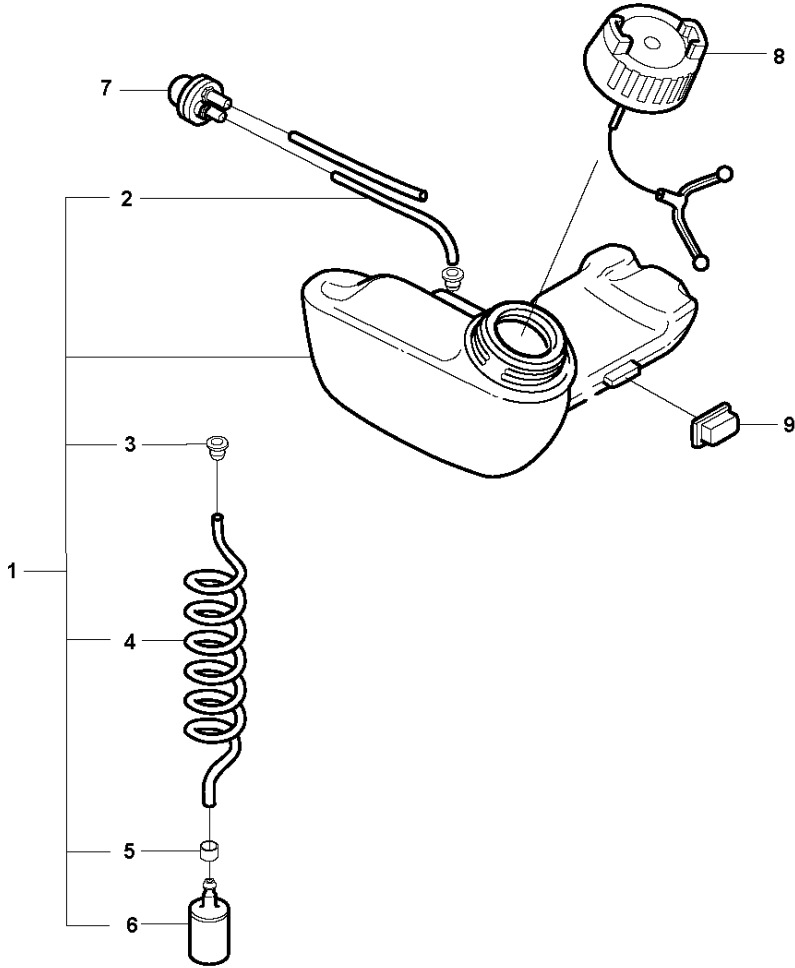


## CYLINDER, PISTON &amp; MUFFLER

326 LDx, 2009-05

Ref	Part no.	Description	Remark	Qty	Kit
1	537 08 51-02	PISTON	Ø=34mm	1	
2	503 20 07-35	SCREW IHSCFM		4	1
3	537 40 59-02	PISTON		1	1
4	537 40 62-01	PISTON RING		2	3
5	503 71 22-01	BEARING		1	3
6	737 44 08-00	CIRCLIP		2	3
7	537 22 17-03	MUFFLER ASSY	Cat.	1	
8	537 22 18-01	SPARK ARRESTOR SCREEN		1	7
9	537 01 41-01	GASKET		1	
10	503 20 29-56	SCREW IHSCFM		3	

**J** 326LS, Lx, LDx, Rx, RJx  
FUEL TANK

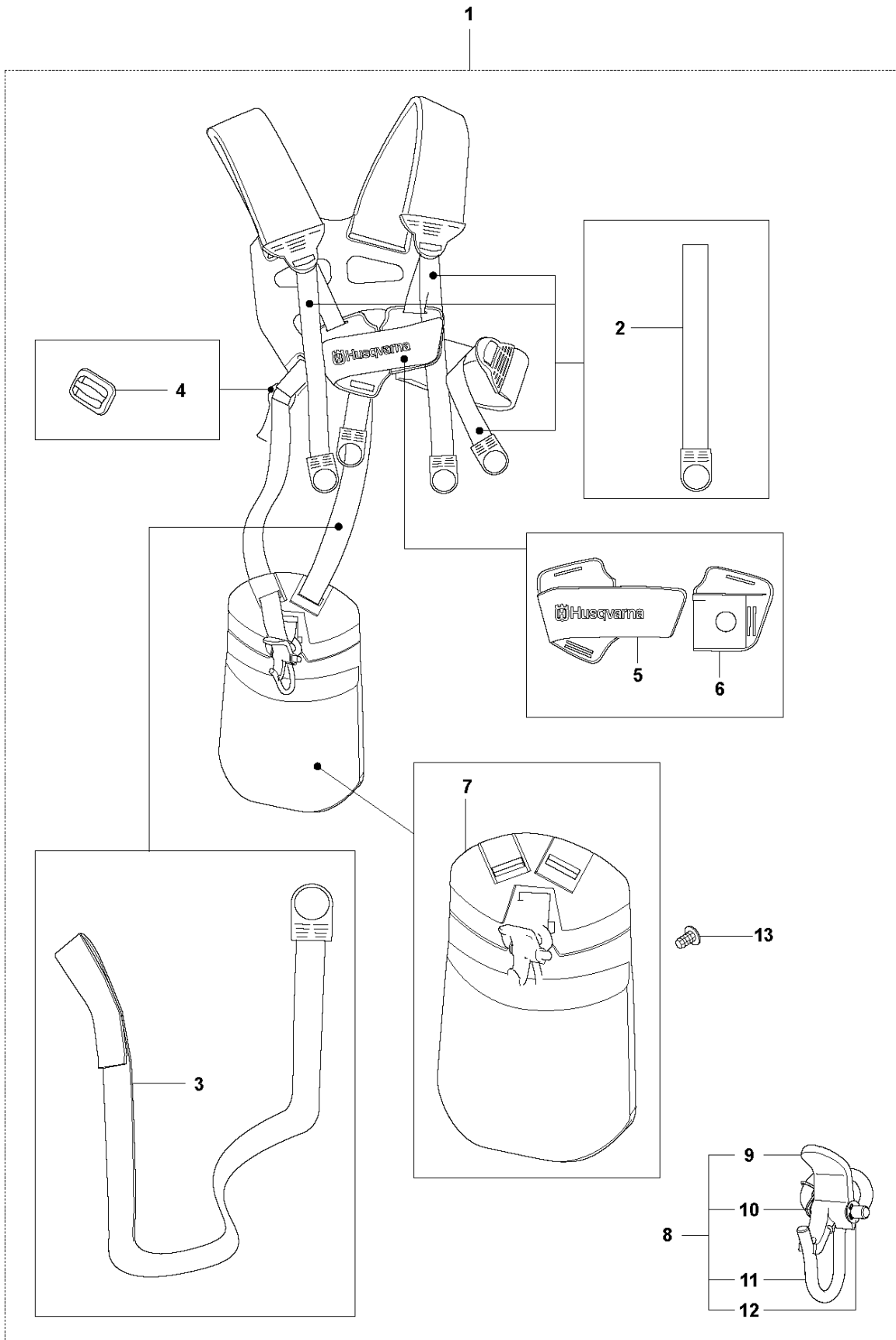


## FUEL TANK

326 LDx, 2009-05

Ref	Part no.	Description	Remark	Qty	Kit
1	537 06 86-02	FUEL TANK		1	
2	537 04 24-01	FUEL HOSE		2	1
3	503 73 58-01	BUSHING		2	1
4	544 32 50-01	FUEL HOSE		1	1
5	504 02 24-01	HOSE CLAMP		1	1
6	503 44 32-01	FILTER		1	1
7	503 93 66-01	PRIMER HOUSING		1	
8	544 88 97-02	TANK CAP		1	
9	503 91 10-01	SUSPENSION		4	

**S** Duo Balance  
HARNESS



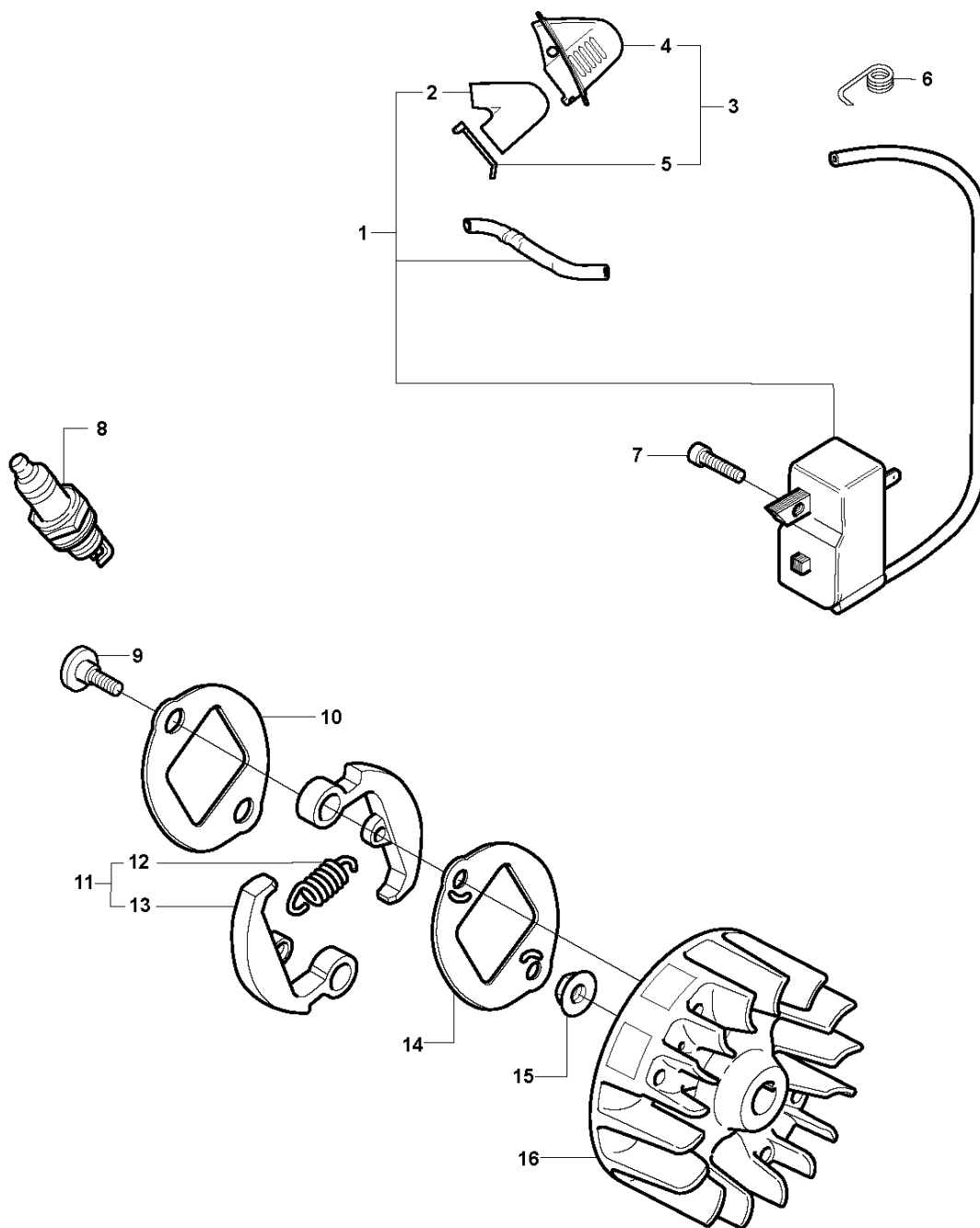


## HARNES

326 LDx, 2009-05

Ref	Part no.	Description	Remark	Qty	Kit
1	537 27 57-01	HARNES		1	
1	537 27 57-03	HARNES	US	1	1
2	503 99 61-01	BAND		3	1
3	503 99 61-03	BAND		1	1
4	537 11 35-01	RETAINER		1	1
5	537 28 84-01	FRONT PIECE		1	1
6	537 28 83-01	FRONT PIECE		1	1
7	537 27 59-01	HIP PAD		1	1
8	502 02 28-01	HOOK		1	1
9	502 02 30-02	LOCK		1	1,8
10	502 02 38-01	SPRING		1	1,8
11	502 02 29-02	HOOK		1	1,8
12	735 31 09-20	E-CLIP		1	1,8
13	537 17 54-01	HIP PAD		3	1

**K** 326LS, Lx, LDx, Rx, RJx  
IGNITION & CLUTCH

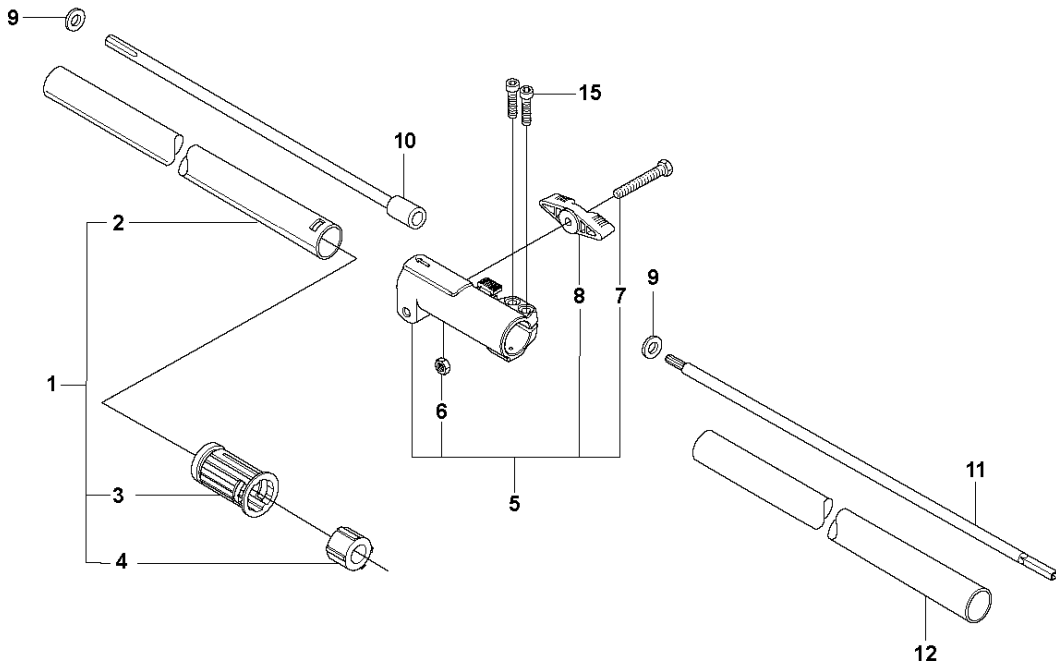


## IGNITION SYSTEM

326 LDx, 2009-05

Ref	Part no.	Description	Remark	Qty	Kit
1	537 41 87-01	ELECTRONIC MODULE		1	
2	537 23 96-01	SPARK PLUG CAP		1	1
3	537 06 33-02	COVER		1	
4	537 06 44-03	COVER		1	3
5	537 09 17-01	SECURING PLATE		1	3
6	501 48 56-01	CONTACT SPRING		1	
7	503 21 71-16	SCREW IHSCT		2	
8	503 23 51-09	SPARK PLUG	Champion RCJ 6Y	1	
9	503 84 29-02	SCREW		2	
10	537 04 67-02	WASHER		1	
11	537 03 22-01	CLUTCH ASSY		1	
12	503 81 60-01	CLUTCH SPRING		1	11
13	503 84 28-01	CLUTCH SHOE		2	11
14	537 04 68-02	WASHER		1	
15	731 71 16-51	HEXAGON NUT FLANGED		1	
16	537 24 96-02	FLYWHEEL		1	

**C** 326LDx  
SHAFT



13



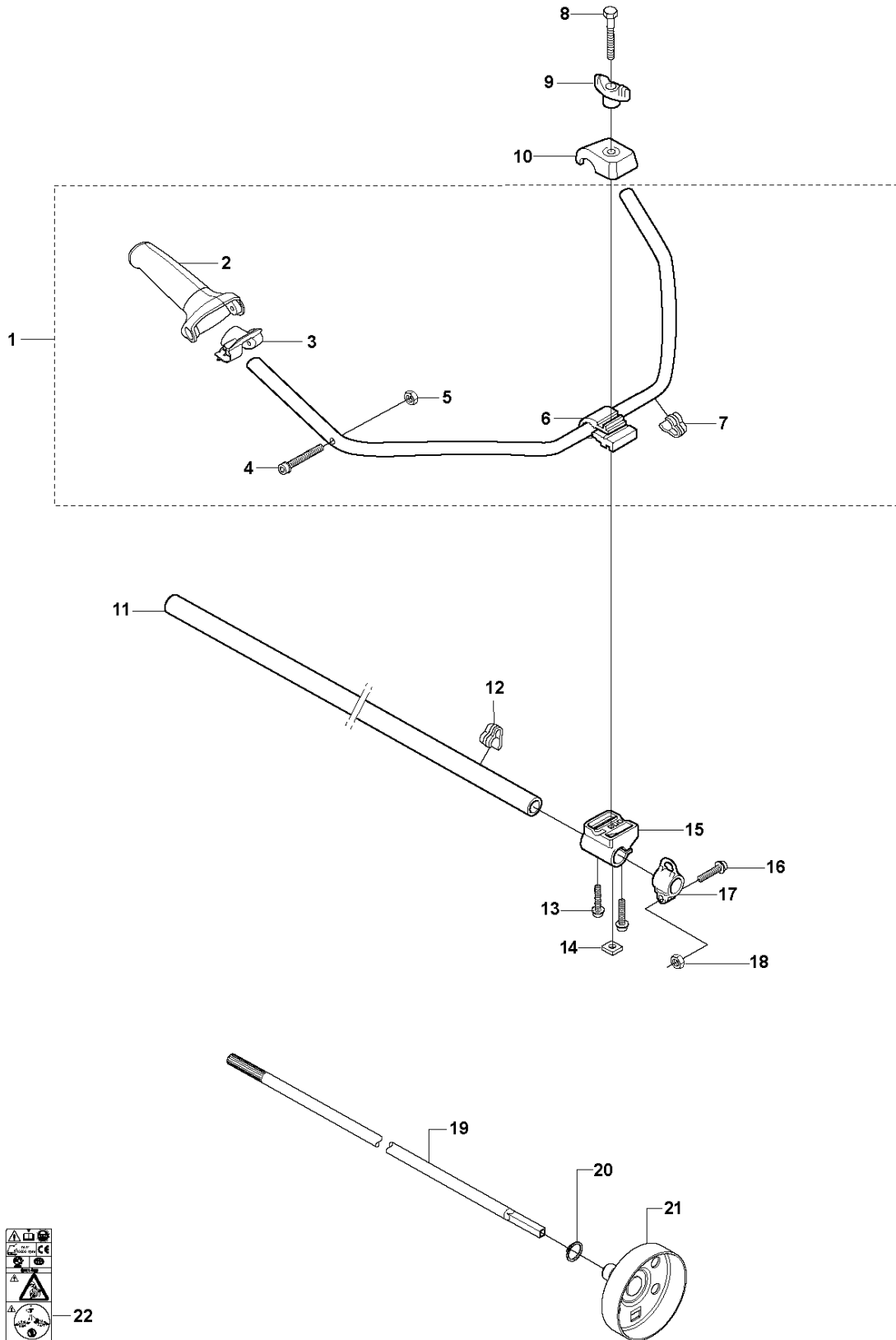
14

## SHAFT

326 LDx, 2009-05

Ref	Part no.	Description	Remark	Qty	Kit
1	537 07 99-01	TUBE		1	
2	537 08 27-01	TUBE		1	1
3	503 98 54-01	BEARING CAGE		1	1
4	503 78 52-01	SUPPORTING BEARING		1	1
5	544 36 75-01	CLAMPING SLEEVE		1	
6	731 23 16-01	HEXAGON NUT		1	5
7	725 23 76-51	SCREW EHHM		1	5
8	502 20 38-01	KNOB		1	5
9	735 58 08-10	LOCK WASHER		2	
10	537 01 19-01	DRIVE SHAFT		1	
11	544 11 37-01	DRIVE SHAFT ASSY		1	
12	537 01 16-01	TUBE		1	
13	537 29 48-01	LABEL		1	
14	503 79 56-01	LABEL		1	
15	725 23 76-51	SCREW EHHM		2	

**D** 326Rx  
SHAFT & HANDLE

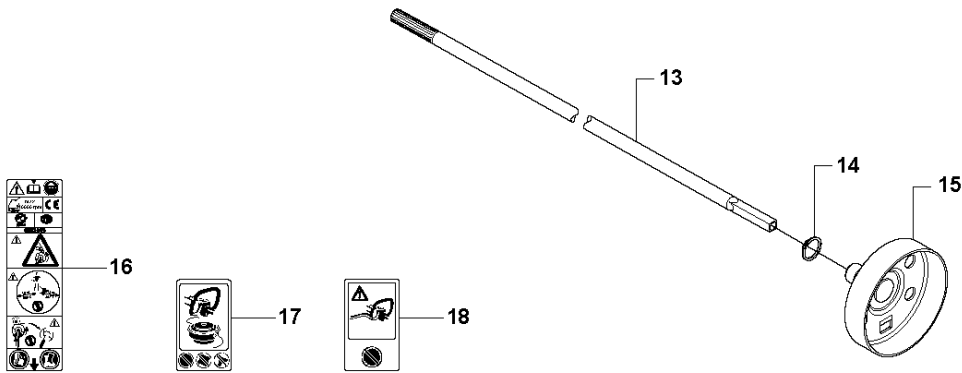
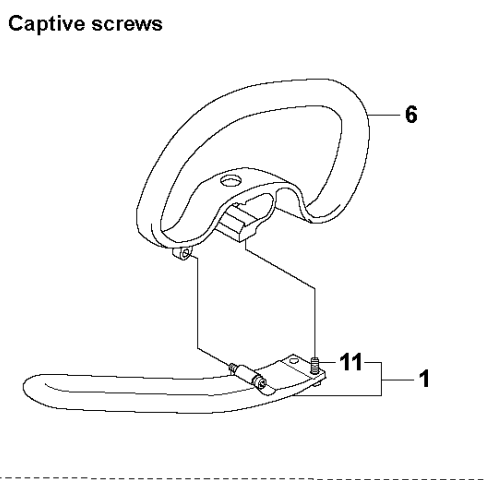
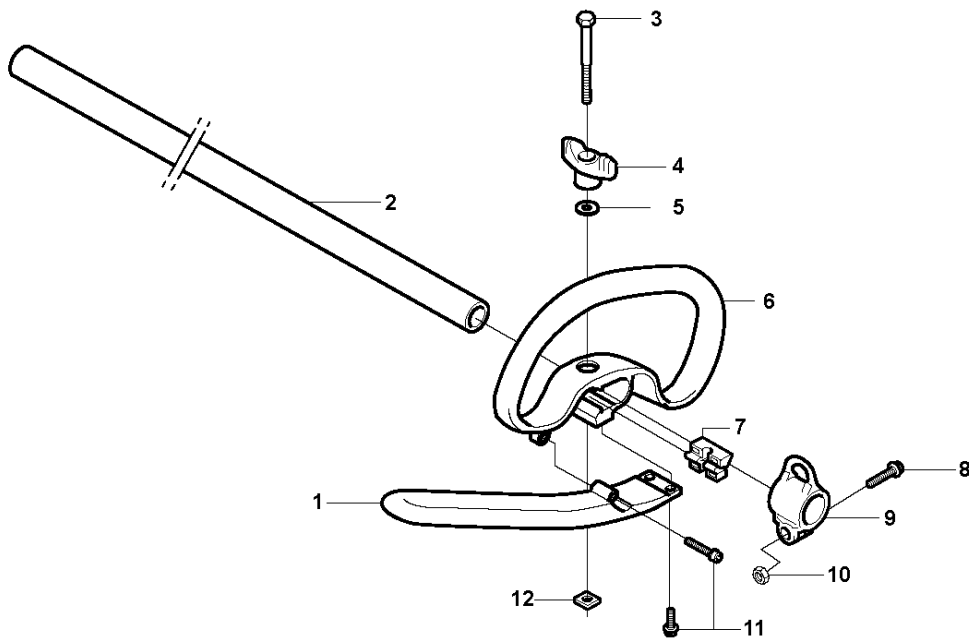


## SHAFT &amp; HANDLE

326 LDx, 2009-05

Ref	Part no.	Description	Remark	Qty	Kit
1	503 72 43-09	HANDLEBAR		1	
2	537 17 28-01	HANDLE		1	1
3	537 17 29-01	COVER		1	1
4	503 20 02-45	SCREW IHSCFM		1	1
5	731 23 14-01	HEXAGON NUT		1	1
6	503 75 00-01	HANDLEBAR BRACKET		1	1
7	502 21 12-01	STAPLE		1	1
8	725 23 86-51	SCREW EHHM			
9	502 20 38-01	KNOB		1	
10	503 72 29-01	COVER HANDLE BAR		1	
11	503 88 88-01	TUBE		1	
12	502 21 12-01	STAPLE		1	
13	503 21 75-25	SCREW IHSCFT		2	
14	502 19 71-01	SQUARE NUT		1	
15	503 88 23-01	BRACKET		1	
16	503 20 07-16	SCREW IHSCFM		1	
17	503 94 10-01	HOOK		1	
18	731 23 14-01	HEXAGON NUT		1	
19	537 23 48-01	DRIVE SHAFT		1	
20	735 31 12-00	CIRCLIP		1	
21	537 23 75-01	CLUTCH DRUM ASSY		1	
22	537 29 48-01	LABEL		1	

**B** 326LS, Lx, LDx, Rx, RJx  
SHAFT & HANDLE



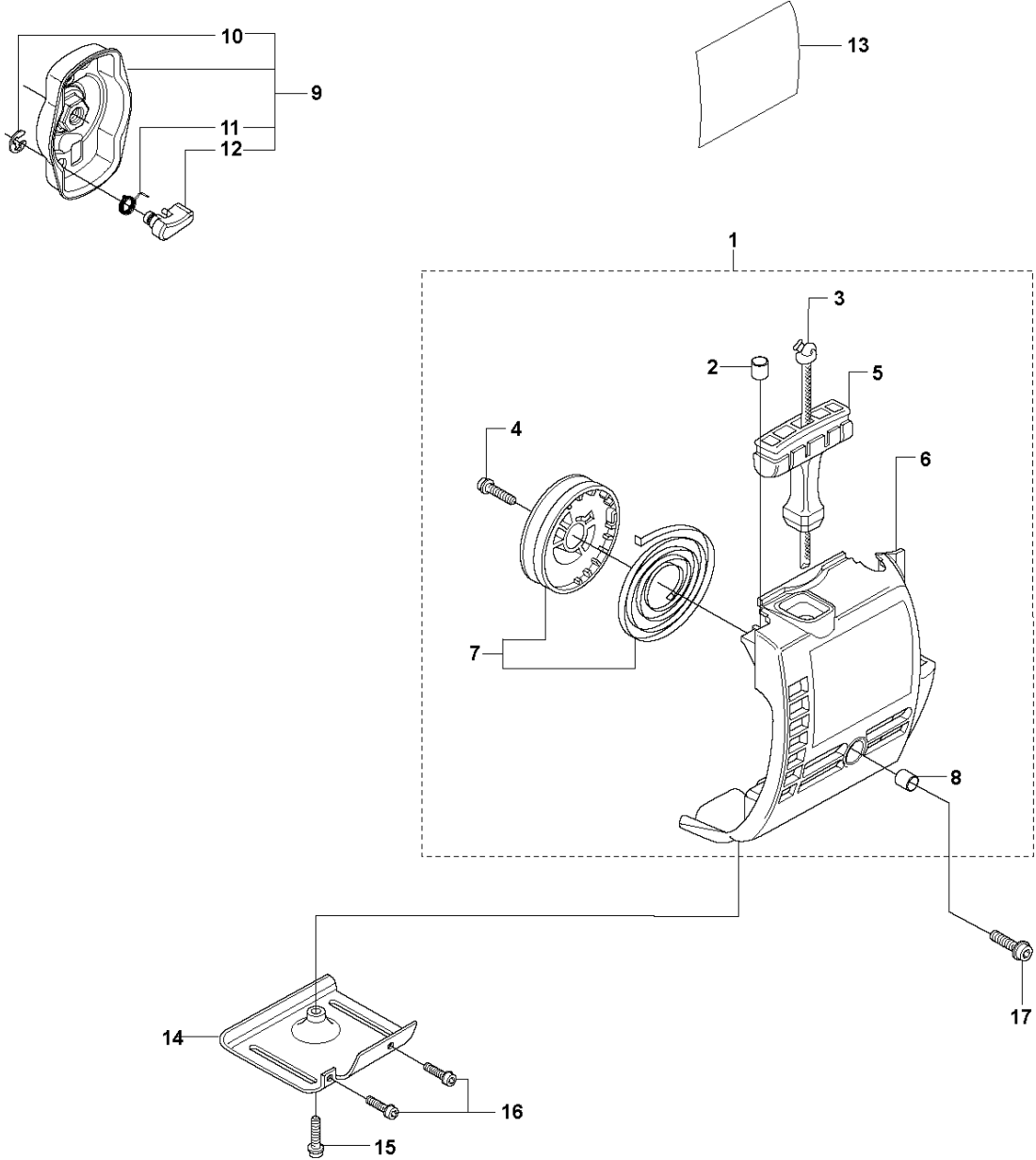


## SHAFT &amp; HANDLE

326 LDx, 2009-05

Ref	Part no.	Description	Remark	Qty	Kit
1	503 99 78-01	HANDLE.J	326RJx	1	
1	503 99 78-04	HANDLE	Captive screws	1	
2	503 88 88-01	TUBE		1	
3	725 23 78-51	SCREW EHHM	326L, LS	1	
3	725 23 80-51	SCREW EHHM	326Lx,	1	
4	503 87 90-01	KNOB	326Lx	1	
5	503 23 00-61	WASHER	326L, LS	1	
6	503 87 19-03	HANDLE	326Lx	1	
6	503 87 19-08	HANDLE	Captive screws	1	
7	503 94 03-01	DISTANCE.HANDLE		1	
8	503 20 07-16	SCREW IHSCFM	326RJx	1	
9	503 94 10-01	HOOK	326RJx	1	
10	731 23 14-01	HEXAGON NUT	326RJx	1	
11	503 21 68-16	SCREW IHSCFT	326RJx	3	
11	574 18 15-01	SCREW IHSCFTO	326RJx Captive screws	3	
12	502 19 71-01	SQUARE NUT		1	
13	537 23 48-01	DRIVE SHAFT		1	
14	735 31 12-00	CIRCLIP		1	
15	537 23 75-01	CLUTCH DRUM ASSY		1	
16	537 29 48-01	LABEL		1	
17	503 79 56-01	LABEL		1	
18	537 10 10-01	LABEL	326RJx	1	

# H3 326LS STARTER

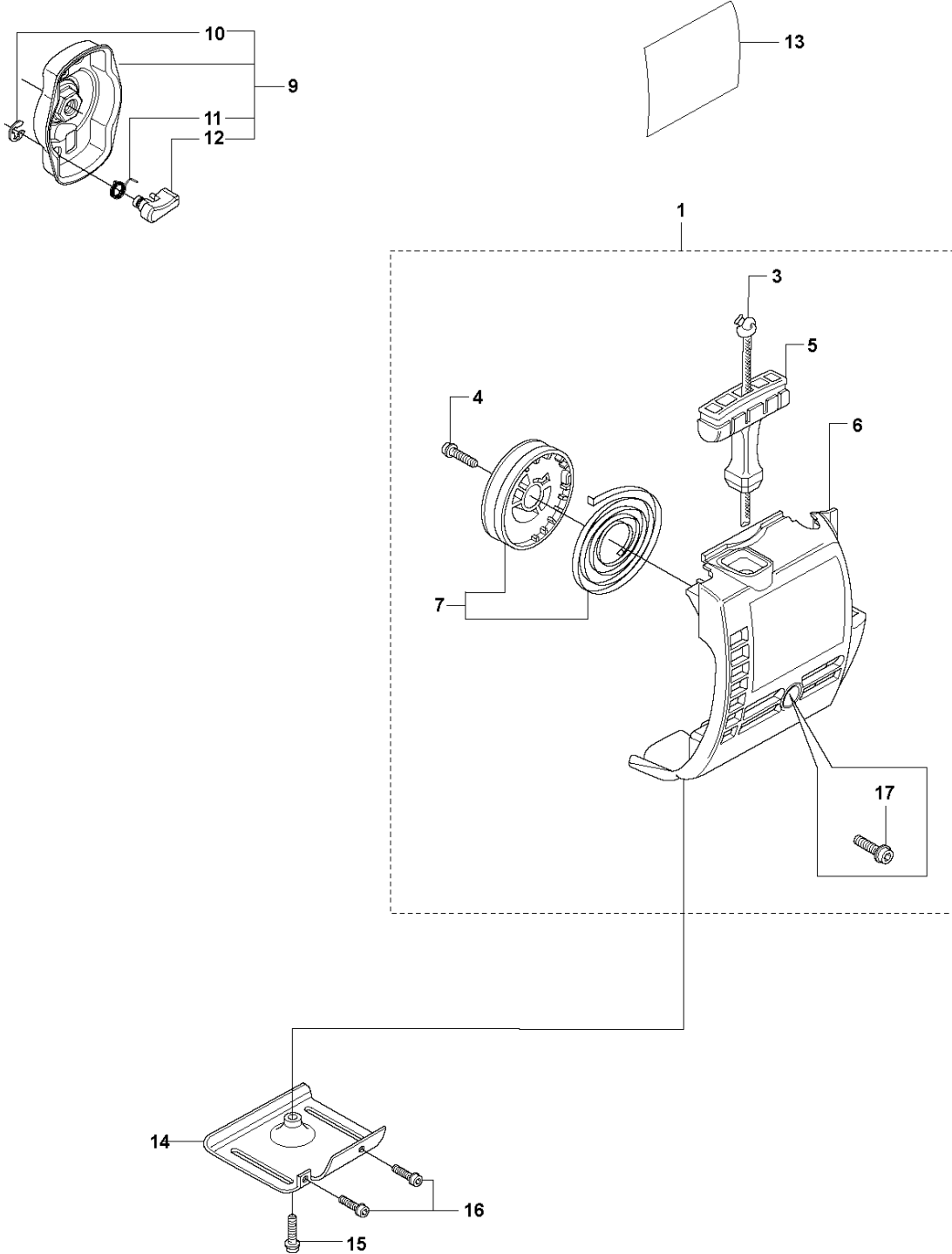


## STARTER

326 LDx, 2009-05

Ref	Part no.	Description	Remark	Qty	Kit
1	503 85 28-06	STARTER ASSY		1	
2	537 37 93-02	SPACING SLEEVE		2	1
3	503 85 89-01	STARTER CORD		1	1
4	503 21 77-16	SCREW IH SCT		1	1
5	537 00 84-01	STARTER HANDLE		1	1
6	503 85 87-02	STARTER HOUSING		1	1
7	503 96 49-01	STARTER PULLEY		1	1
8	537 37 93-02	SPACING SLEEVE		1	1
9	503 87 33-05	STARTER PAWL BRIDGE		1	
10	735 31 08-20	E-CLIP		2	9
11	503 87 36-01	SPRING		2	9
12	503 87 35-02	STARTER PAWL		2	9
13	537 35 34-54	LABEL		1	
14	537 03 41-01	PROTECTIVE PLATE		1	
15	503 20 03-16	SCREW IH SCFM	M5x16	1	
16	503 21 66-18	SCREW IH SCT		2	
17	503 20 03-16	SCREW IH SCFM	M5x16	1	

# H4 326LS STARTER

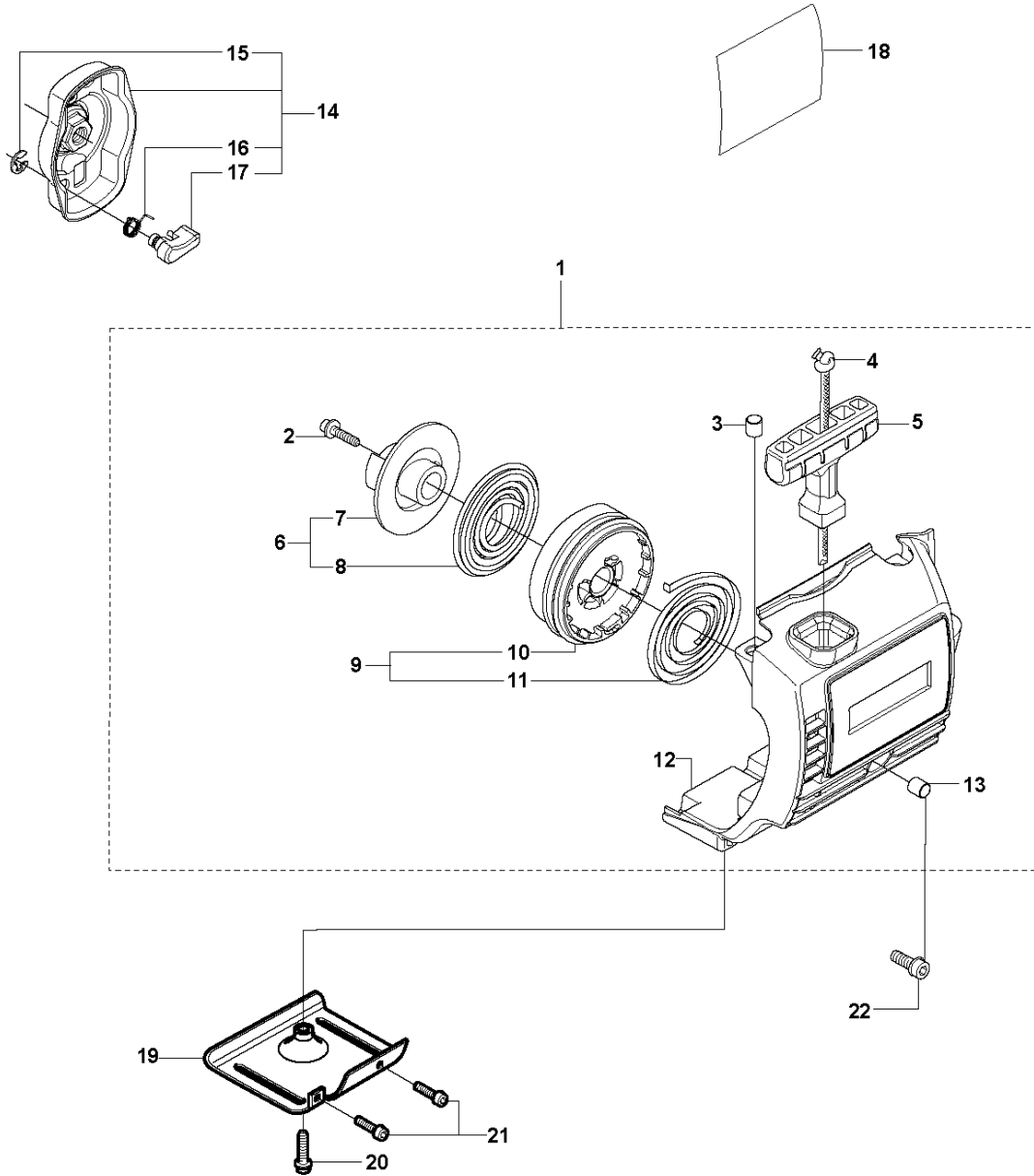


## STARTER

326 LDx, 2009-05

Ref	Part no.	Description	Remark	Qty	Kit
1	503 85 28-07	STARTER ASSY	captive screws	1	
3	503 85 89-01	STARTER CORD		1	1
4	503 21 77-16	SCREW IH SCT		1	1
5	537 00 84-01	STARTER HANDLE		1	1
6	503 85 87-03	STARTER HOUSING	captive screws	1	
7	503 96 49-01	STARTER PULLEY		1	1
9	503 87 33-05	STARTER PAWL BRIDGE		1	
10	735 31 08-20	E-CLIP		2	9
11	503 87 36-01	SPRING		2	9
12	503 87 35-02	STARTER PAWL		2	9
13	537 35 34-54	LABEL	326LS	1	
14	537 03 41-01	PROTECTIVE PLATE		1	
15	503 20 03-16	SCREW IHSCFM	M5x16	1	
16	503 21 66-18	SCREW IH SCT		2	
17	574 47 70-03	SCREW IHSCFMO	captive screws	1	

**H1** 326Lx, LDx, Rx, RJx  
STARTER

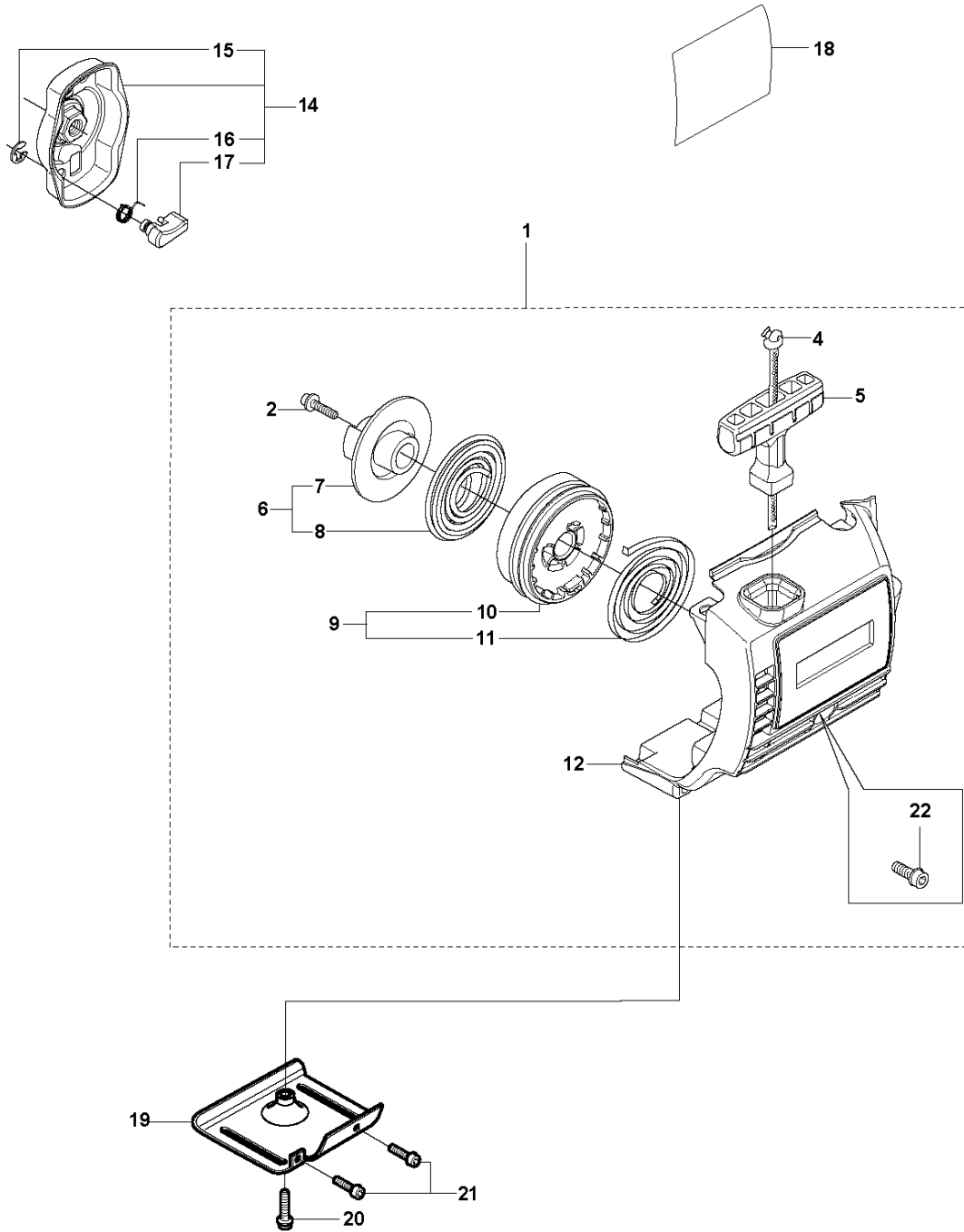


## STARTER

326 LDx, 2009-05

Ref	Part no.	Description	Remark	Qty	Kit
1	544 07 11-02	STARTER ASSY		1	
2	503 21 77-25	SCREW IHSC T		1	1
3	537 37 93-02	SPACING SLEEVE		2	1
4	503 85 89-01	STARTER CORD		1	1
5	537 00 84-01	STARTER HANDLE		1	1
6	502 08 24-01	DRIVER		1	1
7	544 03 87-02	DRIVER		1	1
8	544 03 88-02	SPRING		1	1
9	544 16 65-01	STARTER PULLEY ASSY		1	1
10	544 03 86-01	STARTER PULLEY		1	1
11	503 85 90-01	RECOIL SPRING		1	1
12	537 41 16-01	STARTER HOUSING		1	1
13	537 37 93-02	SPACING SLEEVE		1	1
14	503 87 33-05	STARTER PAWL BRIDGE		1	
15	735 31 08-20	E-CLIP		2	14
16	503 87 36-01	SPRING		2	14
17	503 87 35-02	STARTER PAWL		2	14
18	537 35 34-31	LABEL		1	
18	537 35 34-33	LABEL	326Lx	1	
18	537 35 34-32	LABEL	326Rx	1	
18	537 35 34-34	LABEL	326LDx	1	
19	537 03 41-01	PROTECTIVE PLATE	326RJx	1	
20	503 20 03-16	SCREW IHSCFM		1	
21	503 21 66-18	SCREW IHSC T		1	
22	503 21 68-20	SCREW IHSCFT		1	

# H2 326Lx, LDx, Rx, RJx STARTER



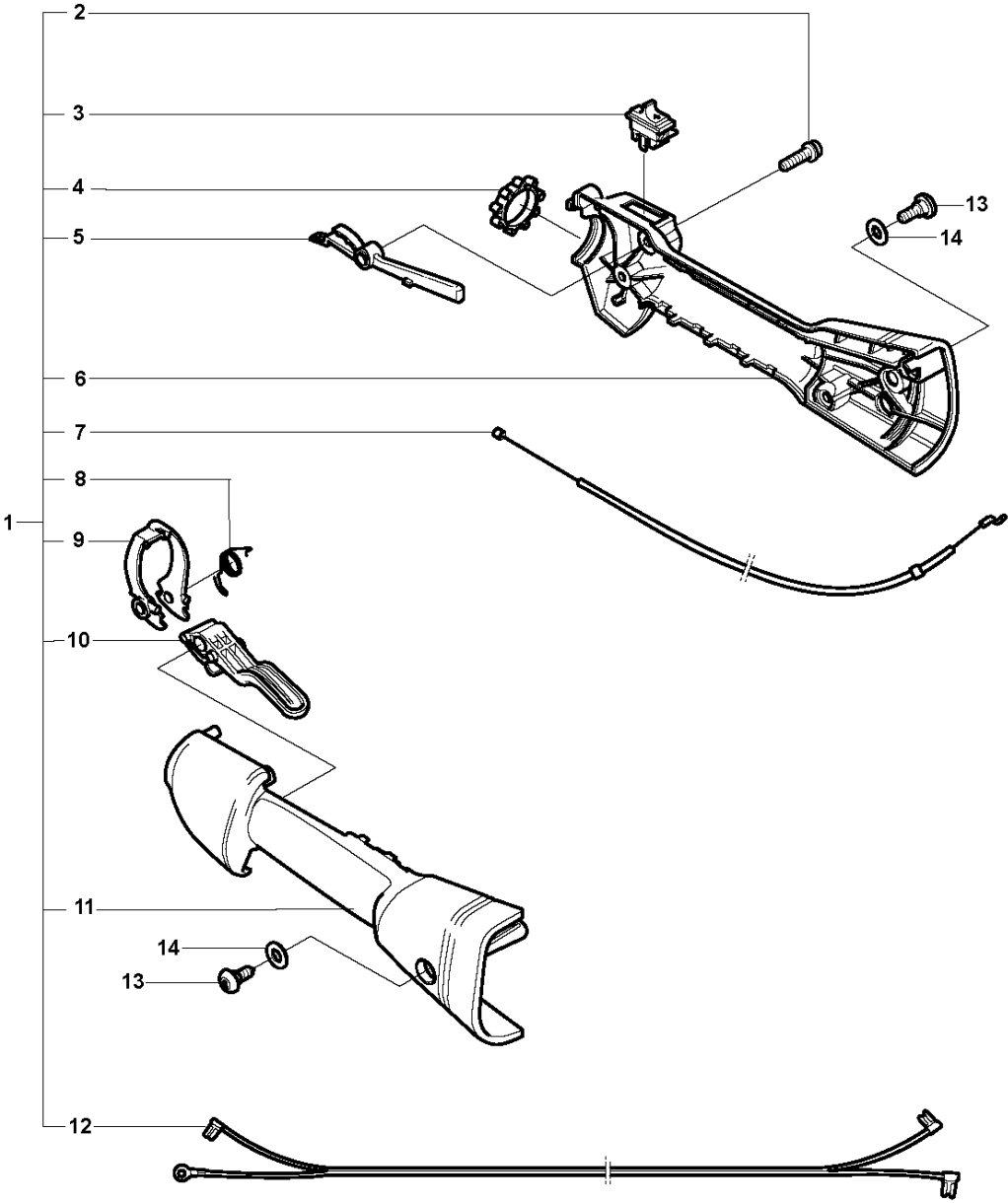


## STARTER

326 LDx, 2009-05

Ref	Part no.	Description	Remark	Qty	Kit
1	544 07 11-03	STARTER ASSY	captive scews	1	
2	503 21 77-25	SCREW IH SCT		1	1
4	503 85 89-01	STARTER CORD		1	1
5	537 00 84-01	STARTER HANDLE		1	1
6	502 08 24-01	DRIVER		1	1
7	544 03 87-02	DRIVER		1	1
8	544 03 88-02	SPRING		1	1
9	544 16 65-01	STARTER PULLEY ASSY		1	1
10	544 03 86-01	STARTER PULLEY		1	1
11	503 85 90-01	RECOIL SPRING		1	1
12	537 41 16-02	STARTER HOUSING	captive scews	1	1
14	503 87 33-05	STARTER PAWL BRIDGE		1	
15	735 31 08-20	E-CLIP		2	14
16	503 87 36-01	SPRING		2	14
17	503 87 35-02	STARTER PAWL		2	14
18	537 35 34-31	LABEL	326Lx	1	
18	537 35 34-33	LABEL	326Rx	1	
18	537 35 34-32	LABEL	326LDx	1	
18	537 35 34-34	LABEL	326RJx	1	
19	537 03 41-01	PROTECTIVE PLATE		1	
20	503 20 03-16	SCREW IH SCFM		1	
21	503 21 66-18	SCREW IH SCT		1	
22	574 47 70-03	SCREW IH SCFMO	captive scews	1	

**E1** 326LS, Lx, LDx, Rx, RJx  
THROTTLE CONTROLS

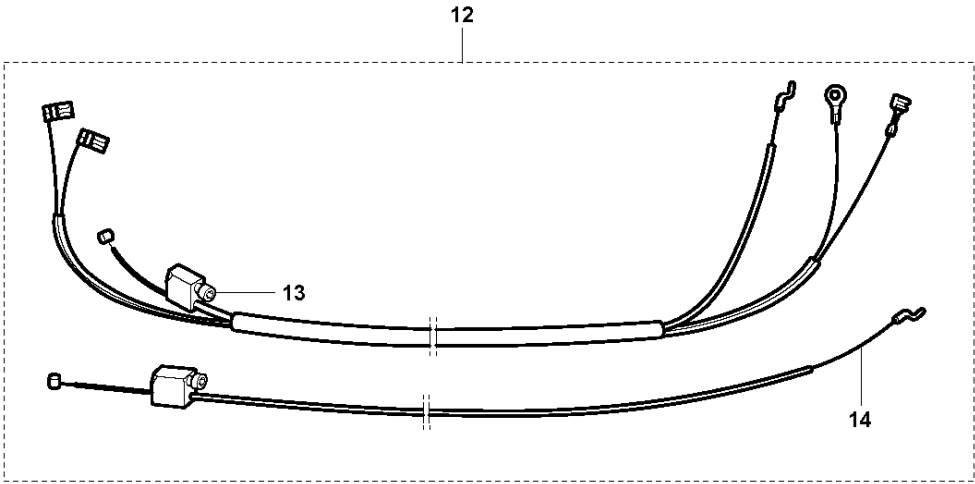
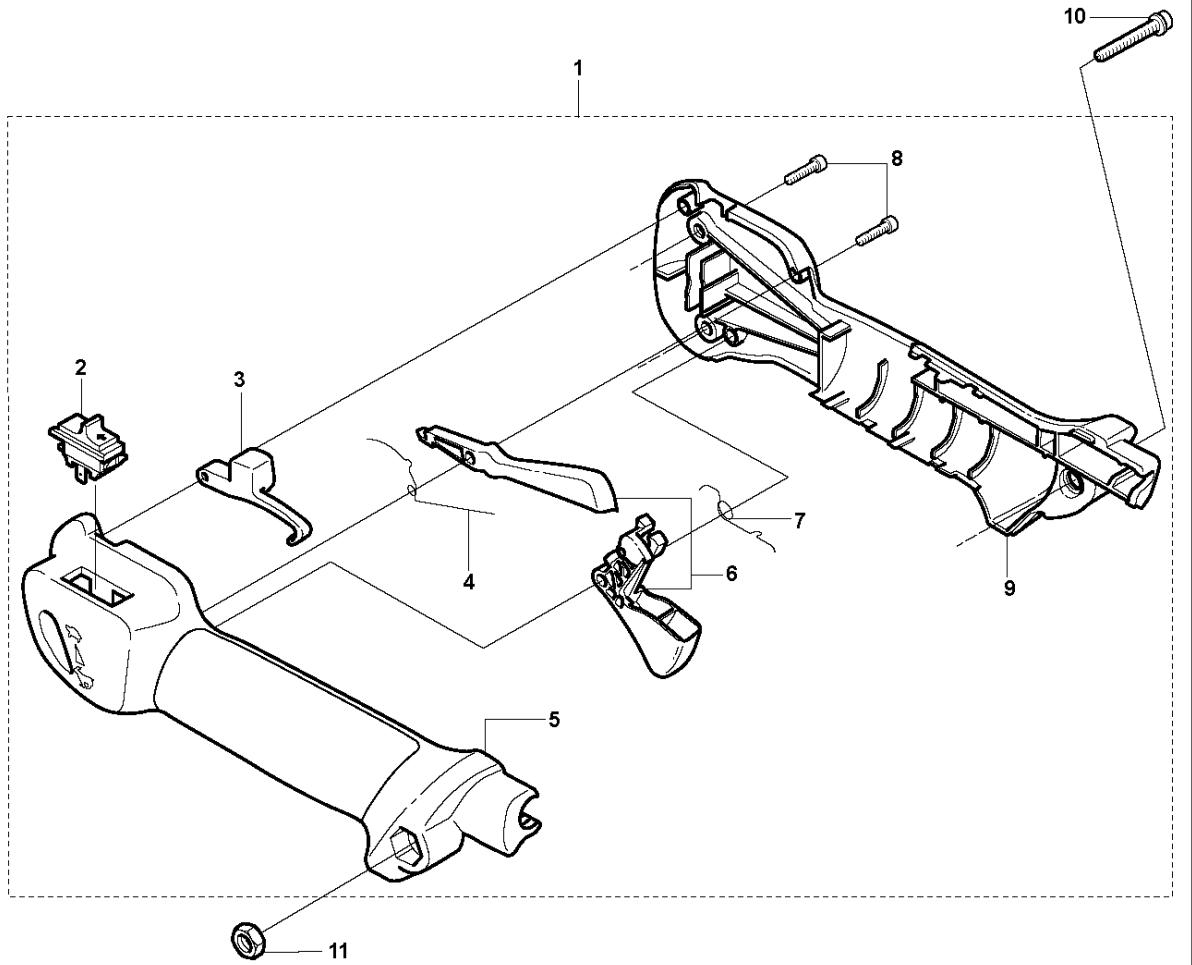


## THROTTLE CONTROLS

326 LDx, 2009-05

Ref	Part no.	Description	Remark	Qty	Kit
1	503 85 29-02	HANDLE		1	
2	503 21 66-18	SCREW IH SCT		5	1
3	537 41 90-01	SWITCH		1	1
4	503 96 14-01	VIBRATION ABSORBER	326L, Lx, LS, LDx	1	1
5	503 87 80-01	THROTTLE LOCKOUT		1	1
6	503 99 55-02	HANDLE HALF RIGHT	326Lx, LDx	1	1
6	503 99 55-01	HANDLE HALF RIGHT	326L, LS	1	
7	544 17 17-03	THROTTLE WIRE ASSY		1	1
8	537 01 13-01	RECOIL SPRING		1	1
9	503 91 81-01	THROTTLE LEVER		1	1
10	503 87 79-03	THROTTLE TRIGGER		1	
11	503 99 56-02	HANDLE HALF	326Lx, LDx	1	1
11	503 99 56-01	HANDLE HALF	326L, LS	1	
12	537 41 42-01	SHORT CIRCUIT CABLE		1	1
13	503 96 13-01	SCREW		2	
14	740 42 06-00	O-RING		2	

**E2** 326Rx  
THROTTLE CONTROLS



## THROTTLE CONTROLS

326 LDx, 2009-05

Ref	Part no.	Description	Remark	Qty	Kit
1	537 42 45-13	HANDLE SYSTEM ASSY		1	
2	537 41 90-01	SWITCH		1	1
3	537 16 07-01	STARTER THROTTLE LOC		1	1
4	537 17 43-01	SPRING		1	1
5	537 16 02-02	HANDLE HALF LEFT		1	1
6	506 49 77-01	THROTTLE CONTROL		1	1
7	537 17 42-01	SPRING THROTTLE TRIG		1	1
8	503 21 66-16	SCREW IHST		2	1
9	537 16 03-02	HANDLE HALF RIGHT		1	1
10	503 20 07-35	SCREW IHSCFM		1	
11	503 22 10-13	HEXAGON NUT		1	
12	537 42 44-01	WIRING ASSY		1	
13	503 21 66-16	SCREW IHST		1	12
14	537 17 39-01	THROTTLE WIRE ASSY		1	12